



GARDTEC

Part Number:

HP25R ("T" Plug)

Wire: **SPT1 2 conductor with Red Wire 105°C, 300 volts**

Lengths: **Standard** (12", 24", 36", 40", 48", 50", 60" and 80")

Custom (any length you desire.

When ordering, add desired length to part number (i.e. 52.5" would be HP25-52.5))

Other options:

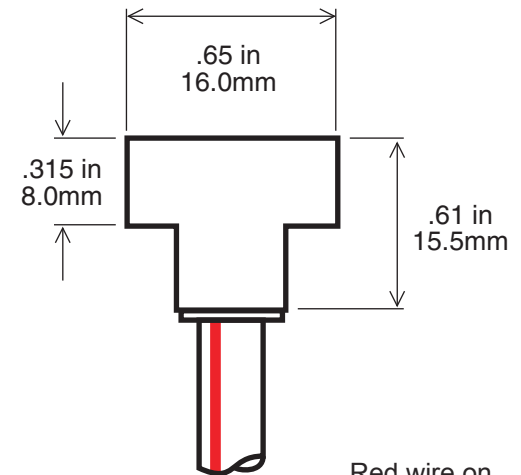
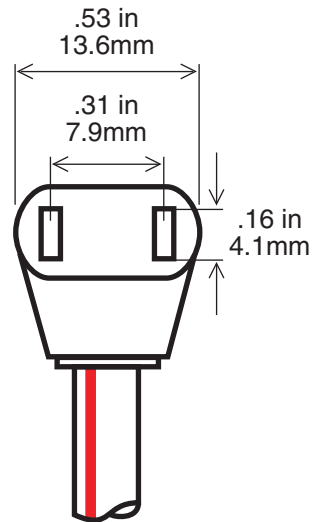
- **terminal connections** (any)
- **heat shrink**
- **labeling**
- **stripping**
- **tinning**
- **three conductor cords**
- **complete wire harness assemblies**
(rated at 105°C, 300 volts)
- **red tracer cords**
(all head configurations and lengths)

Listings:



UL listed (E189621, E156798)

Rated 10 AMP/125 VAC



Red wire on right side of fan cord.