



GARDTEC

Part Number:

SC100-W7

Material: C1008 Steel

Finish: Bright Nickel Chrome Plating

Ring Diameter: 1.5mm

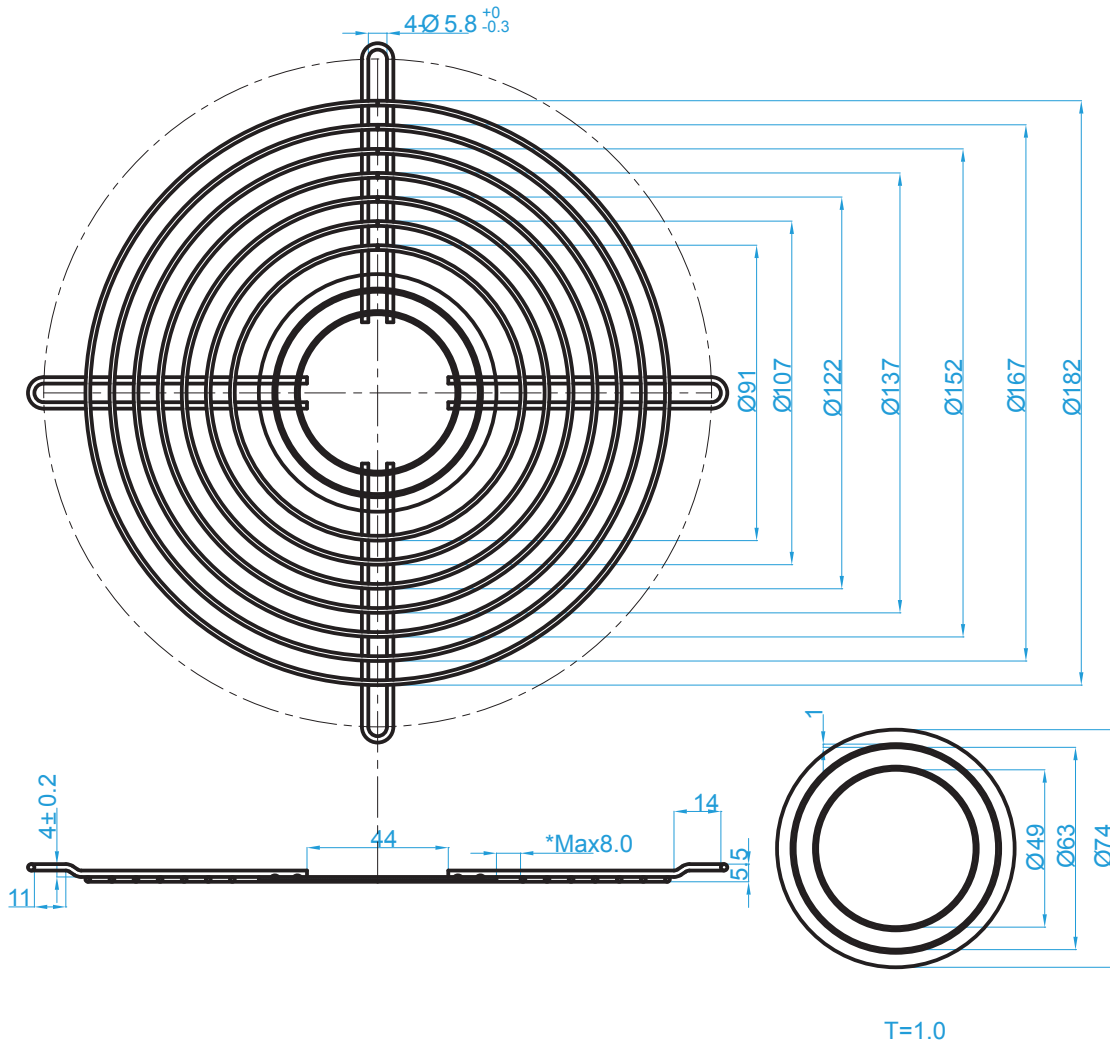
Rib Diameter: 2.0mm

Disc: T=1.0mm

General Tolerance Unless Noted: ± 0.5 mm

Unit: mm

RoHS/REACH Compliant



These drawings are the property of Gardtec, Inc and cannot be reproduced for or communicated to a third party without the express written permission of Gardtec, Inc.