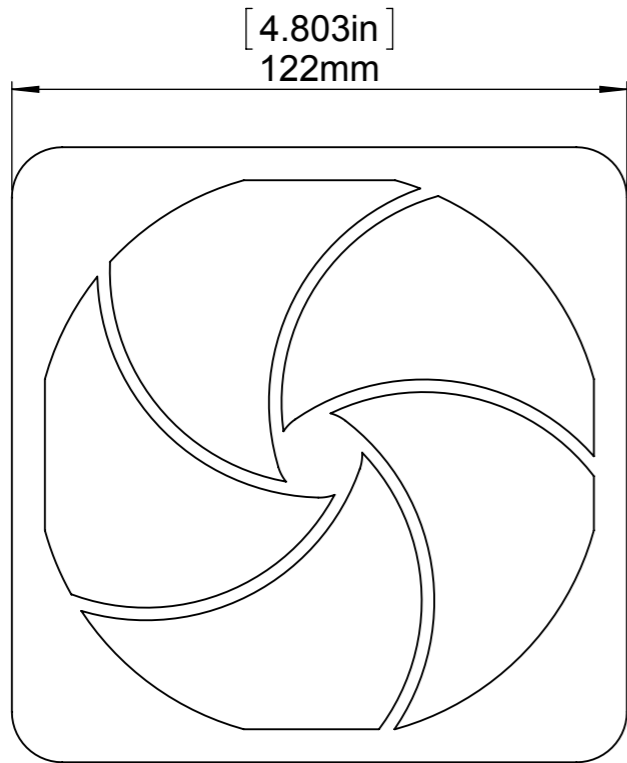
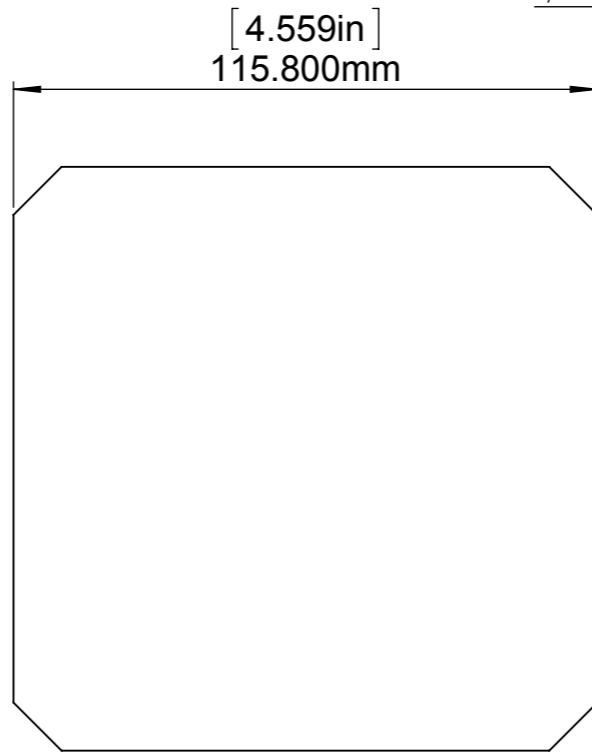


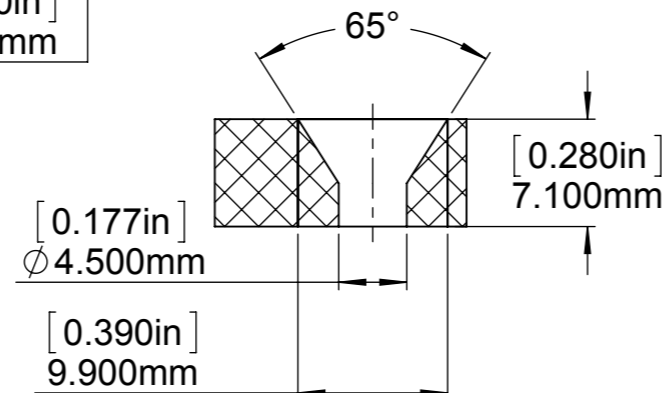
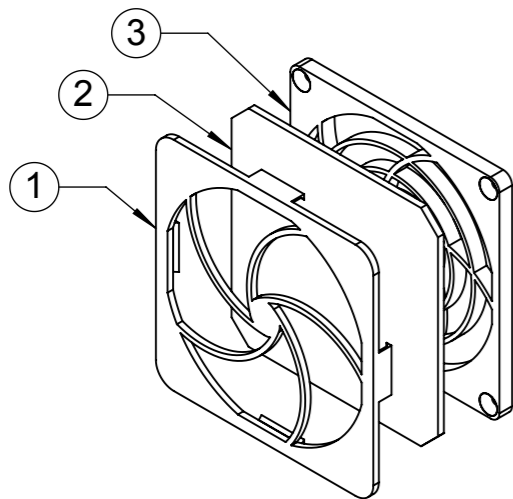
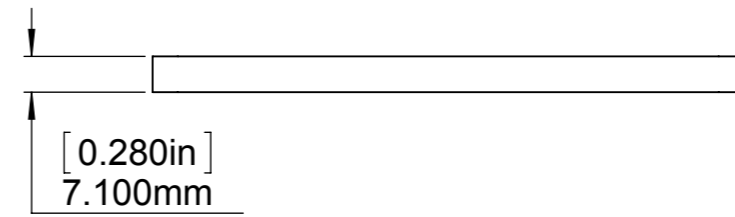
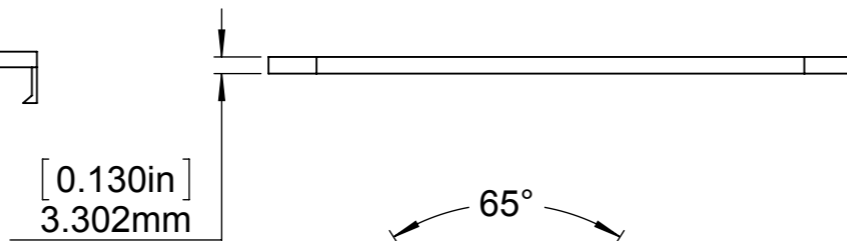
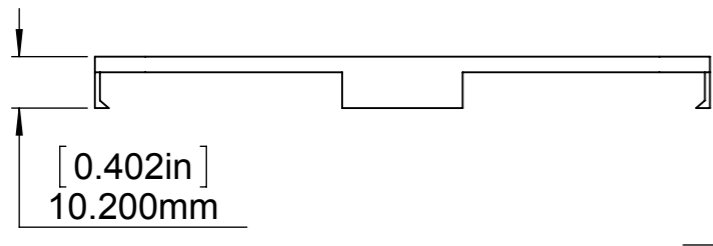
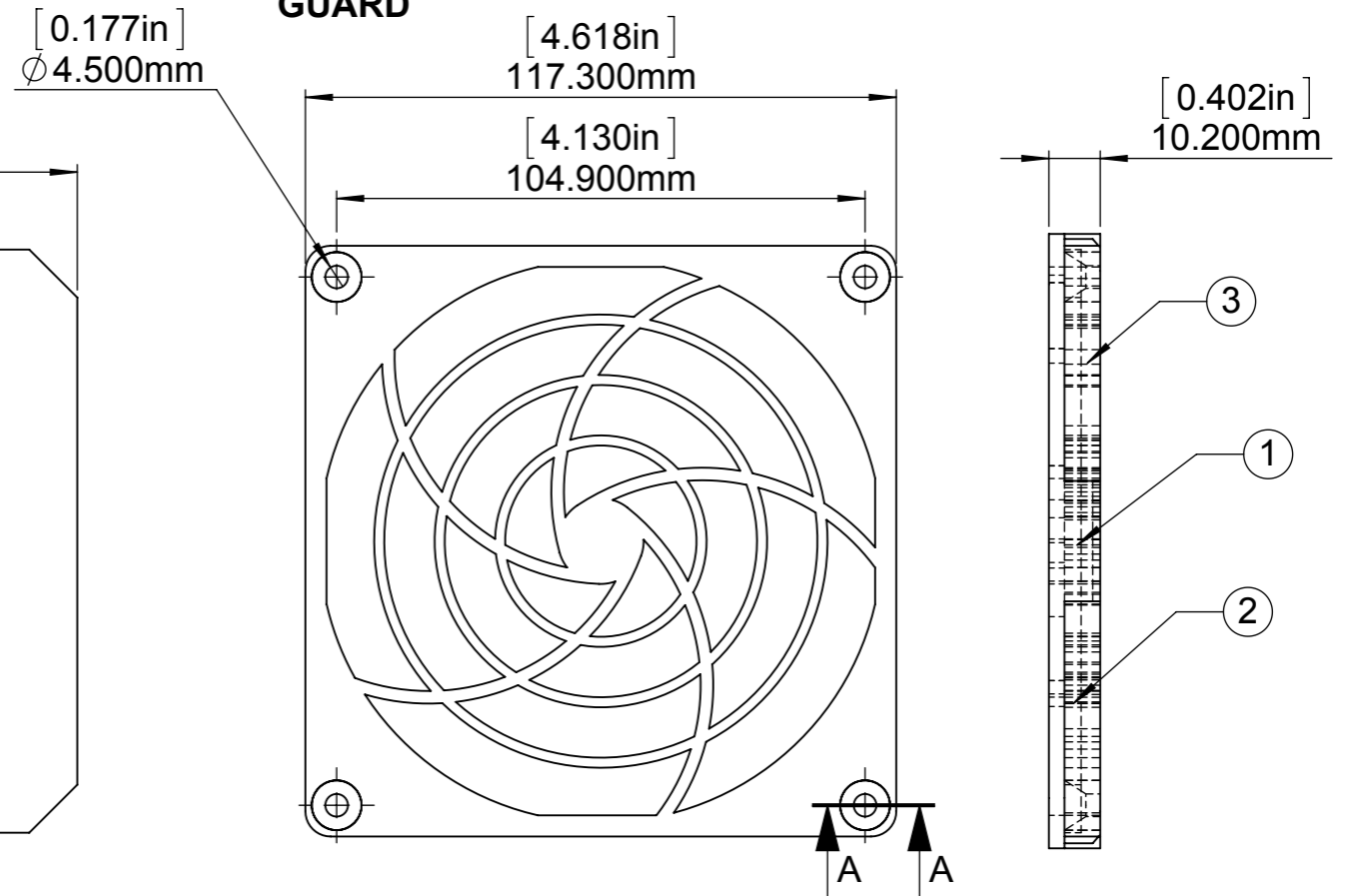
**RETAINER**



**FILTER**



**GUARD**



SECTION A-A  
SCALE 2 : 1

| ITEM NO. | DESCRIPTION | MATERIAL                         | QTY. |
|----------|-------------|----------------------------------|------|
| 1        | RETAINER    | Plastic UL94V-O                  | 1    |
| 2        | FILTER      | Polyurethane Foam UL94HF-1 60PPI | 1    |
| 3        | GUARD       | Plastic UL94V-O                  | 1    |

THIS DRAWING IS THE PROPERTY OF GARDTEC INC AND IS NOT TO BE PRODUCED FOR OR COMMUNICATED TO ANY THIRD PARTY WITHOUT SPECIFIC WRITTEN APPROVAL OF AN OFFICER OF GARDTEC INC.

| NAME                       | SIGNATURE | DATE         |
|----------------------------|-----------|--------------|
| DRAWN HI-TECH              |           |              |
| CHK'D                      |           |              |
| APPV'D                     |           |              |
| MFG                        |           |              |
| Q.A                        |           |              |
| THICKNESS: SEE PART DETAIL |           |              |
| MATERIAL: SEE PART DETAIL  |           |              |
| WEIGHT: 102.509kg          |           | SCALE: 1:1.5 |

|                             |                    |
|-----------------------------|--------------------|
| <b>GARDTEC INC.</b>         |                    |
| TITLE: PLASTIC FAN ASSEMBLY |                    |
| ASSEMBLY NO. SC120-P15/100  | A3<br>SHEET 1 OF 1 |