

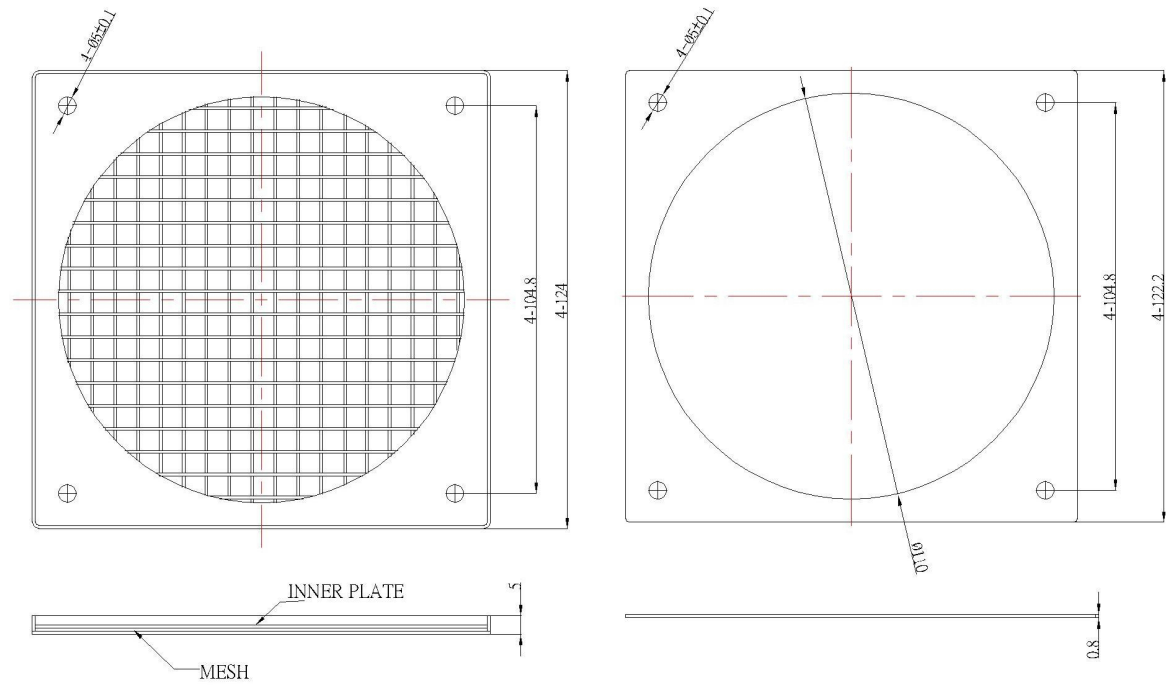


GARDTEC

Revision	Date	Approved	Name

Part Number:
PRF120

Material: Steel
 Finish: Bright Nickel Chrome Plating
 Disc: T = 0.8mm
 Mesh: 0.75 Dia Steel Weld Mesh 4 Hole/inch
 General Tolerance Unless Noted: ±0.5mm
 Unit: mm
 RoHS Compliant



These drawings are the property of Gardtec, Inc and cannot be reproduced for or communicated to a third party without the express written permission of Gardtec, Inc.