

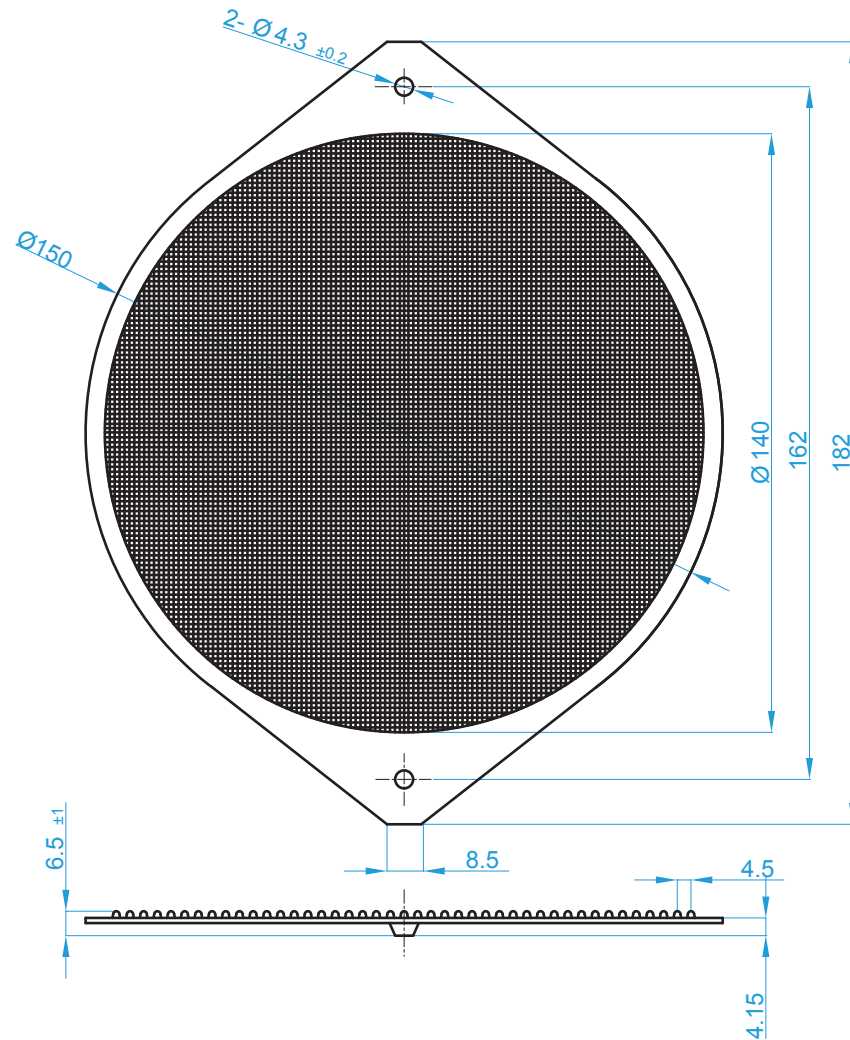


GARDTEC

Part Number:

AFM-162B

Material: Frame- 0.6mm Black Aluminum
Mesh- 24#/25.4mm Black Stainless Steel
General Tolerance Unless Noted: ± 0.5 mm
Finish: Cleaning
Unit: mm
RoHS/REACH Compliant



These drawings are the property of Gardtec, Inc and cannot be reproduced for or communicated to a third party without the express written permission of Gardtec, Inc.