



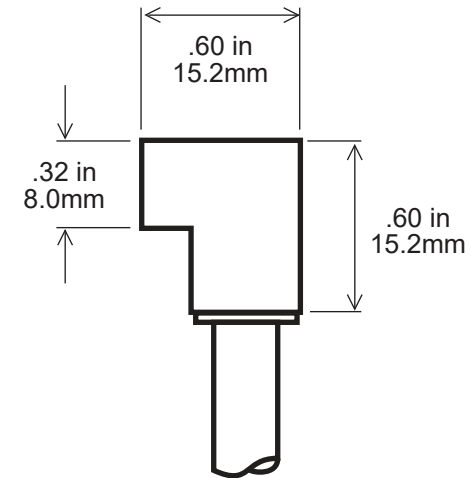
GARDTEC


Part Number:

HP50-48 ("90" Plug)

Wire: SPT 1, 18/2, conductor 105°C, 300 volts, black

Lengths: 48"



Listings:  UL listed (E156798)
Rated 10 AMP/125 VAC- 5 AMP/ 250 VAC

